

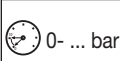
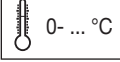
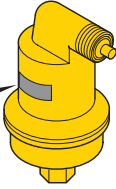


Mounting and operating instruction

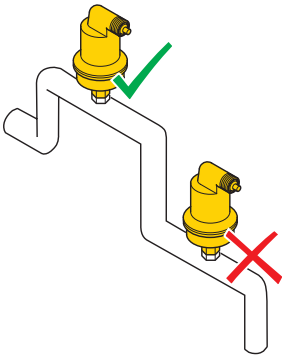
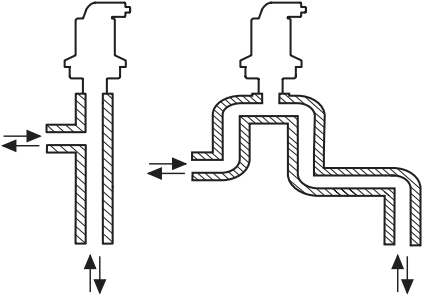
For article no's AB050FBA08...






18.157_03

Acc.PED (2014/68/EU §4.3)


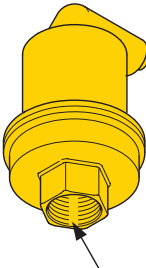



H₂O

❄️

20% < glycol < 50%

Rp 1/2

